

INTRODUCING

# Vivace



STONWORKS™

Quality by Brampton Brick



*New Masonry Veneer Product*

Nature's beauty and splendor has been captured in the **New Vivace Series!**



[www.bramptonbrick.com](http://www.bramptonbrick.com)

1-800- GO-BRICK

INTRODUCING

# Vivace



STONEWORKS™

Quality by Brampton Brick



*Gortona*

*A blend of light and dark greys with brown accents*

*Vivace stone representations shown in this publication are intended to convey the general color, texture and appearance of the product. Variations may occur in the manufacturing and printing process. Always select Vivace stone from an actual product sample.*



[www.bramptonbrick.com](http://www.bramptonbrick.com)  
1-800- GO-BRICK

INTRODUCING

# Vivace



STONEWORKS™

Quality by Brampton Brick



## Siena

*A blend of light grey, charcoal and brown*

*Vivace stone representations shown in this publication are intended to convey the general color, texture and appearance of the product. Variations may occur in the manufacturing and printing process. Always select Vivace stone from an actual product sample.*



[www.bramptonbrick.com](http://www.bramptonbrick.com)  
1-800- GO-BRICK

INTRODUCING

# Vivace



STONEWORKS™

Quality by Brampton Brick



## Coscano

*A blend of tan and buff tones with grey accents*

*Vivace stone representations shown in this publication are intended to convey the general color, texture and appearance of the product. Variations may occur in the manufacturing and printing process. Always select Vivace stone from an actual product sample.*



[www.bramptonbrick.com](http://www.bramptonbrick.com)  
1-800- GO-BRICK

INTRODUCING

# Vivace



STONEWORKS™

Quality by Brampton Brick



## Verona

*A blend of light buff and medium brown with bronze accents*

*Vivace stone representations shown in this publication are intended to convey the general color, texture and appearance of the product. Variations may occur in the manufacturing and printing process. Always select Vivace stone from an actual product sample.*



[www.bramptonbrick.com](http://www.bramptonbrick.com)  
1-800- GO-BRICK

INTRODUCING

# Vivace



STONeworks™

Quality by Brampton Brick

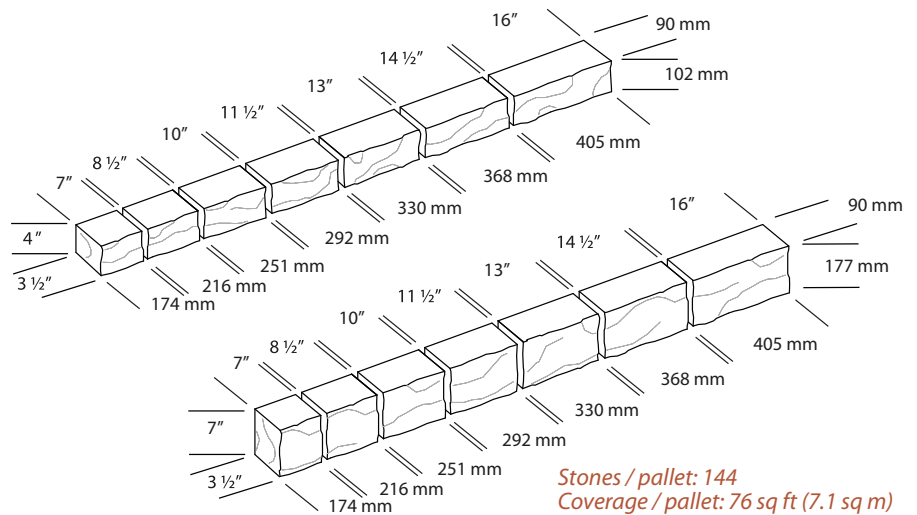
Nature's beauty and splendor have been captured in the Vivace Series. Recreating textures inspired by natural elements, Vivace combines the strength of a masonry veneer system and the comforting aesthetics of traditional stone.

Vivace's coloration is carried throughout each piece and is available in four attractive color blends.

The Vivace Series offers a range of sizes that promote creativity and reduce the need for cutting. All stones have textured ends and can be used as corner units.

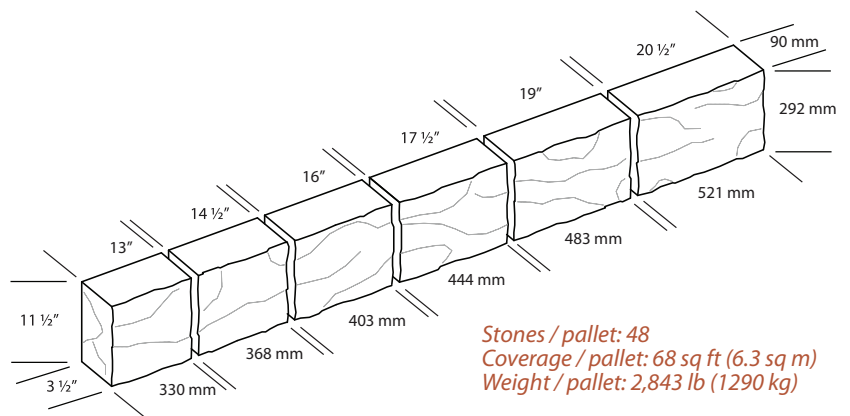
Available in two packaging configurations, the color and random patterning possibilities are as boundless as nature itself.

## Vivace Combo



Stones / pallet: 144  
Coverage / pallet: 76 sq ft (7.1 sq m)  
Weight / pallet: 3,030 lb (1375 kg)

## Vivace Large



Stones / pallet: 48  
Coverage / pallet: 68 sq ft (6.3 sq m)  
Weight / pallet: 2,843 lb (1290 kg)

## Specifications



www.bramptonbrick.com  
1-800-GO-BRICK

INTRODUCING

# Vivace



STONEWORKS™

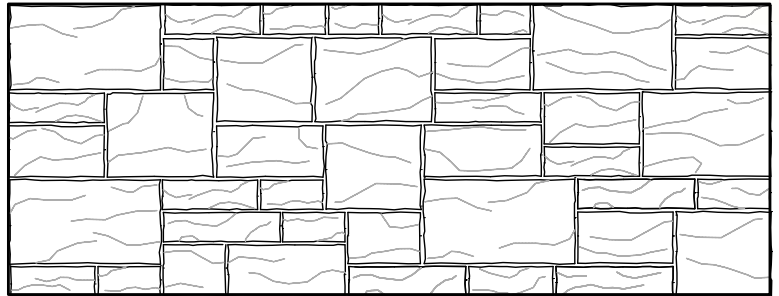
Quality by Brampton Brick

## Bond Patterns

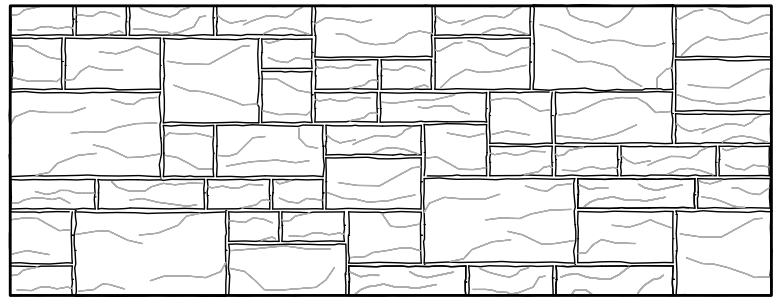
Vivace is produced in our technologically advanced manufacturing facility, using only the finest quality materials made to withstand the test of time. To be used with a 3/8 in (10 mm) mortar joint with type N mortar for all above-grade projects, this product is manufactured to exceed CSA 165.2-04 and the ASTM C55-09 specifications.



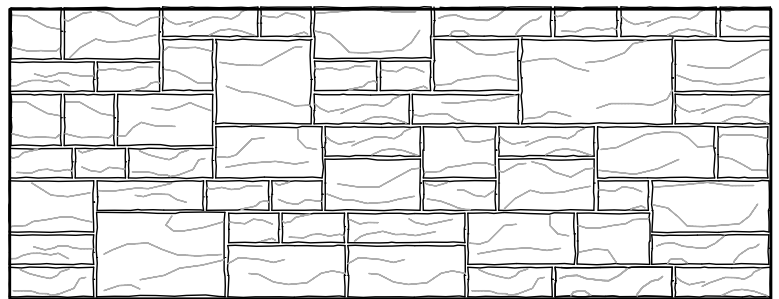
[www.bramptonbrick.com](http://www.bramptonbrick.com)  
1-800- GO-BRICK



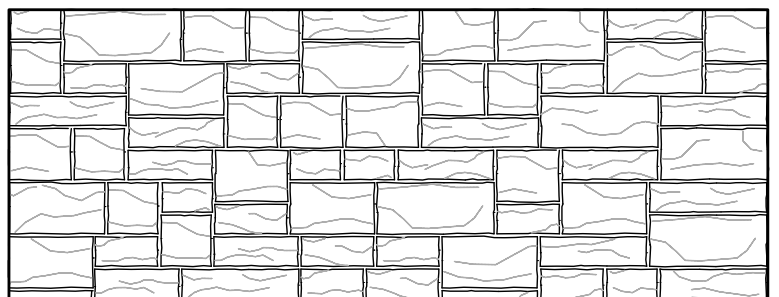
50% Combo / 50% Large



70% Combo / 30% Large



85% Combo / 15% Large



100% Combo