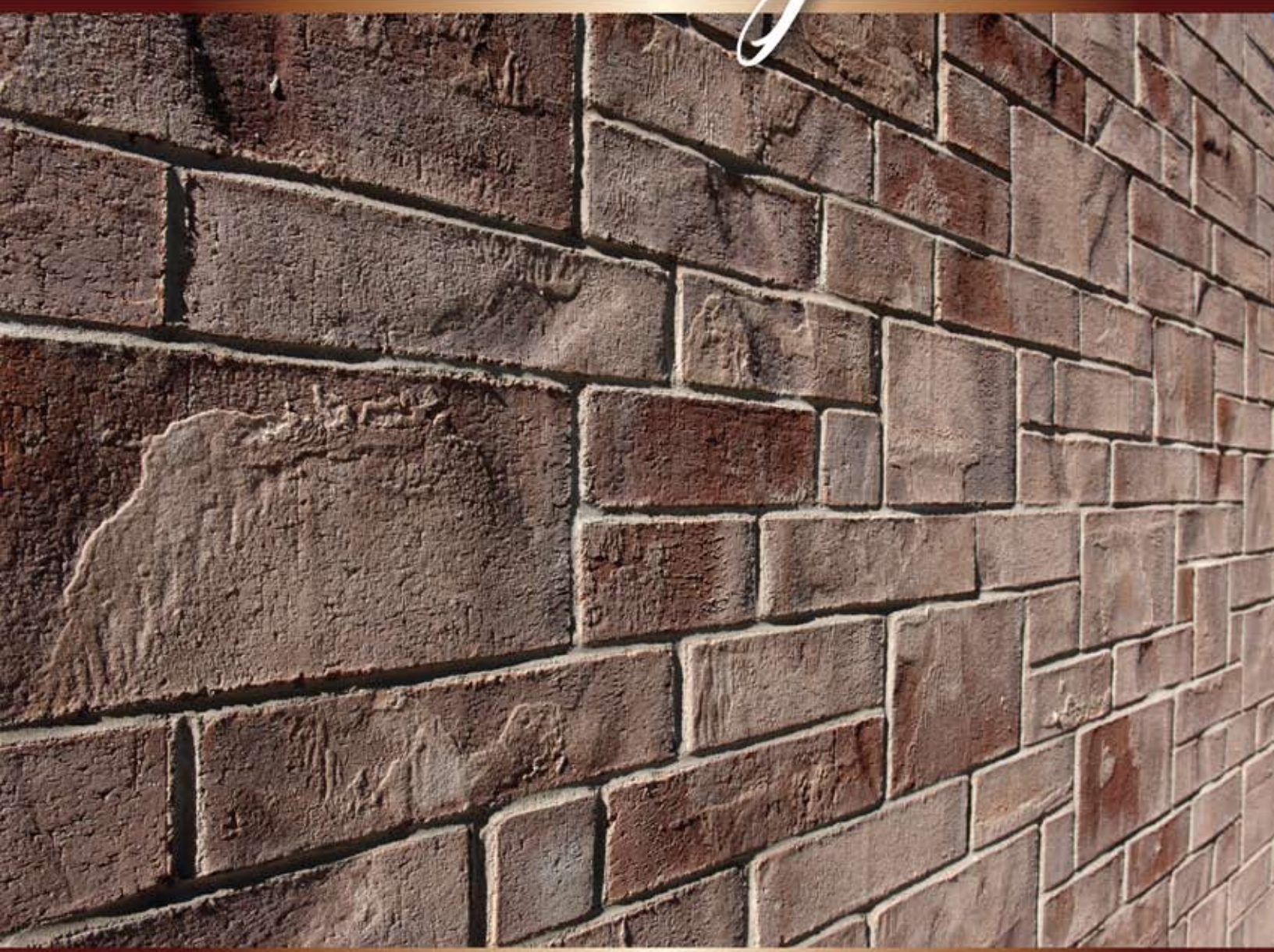




Elegante



The Elegance of stone
the simplicity of brick



Elegante

Introducing

Elegante...the new and original genuine burned clay product that offers the luxury of stone and the ease of brick

Stunning colors and exquisite patterns create a timeless elegance and everlasting appeal

Genuine clay offers excellent year round on site installation

Lightweight and extremely easy to handle for effortless installation

Full width masonry light weight units providing an exquisite pattern for quick and easy installation



Elegant Gray



Brampton Brick's Elegante Products fully meet or exceed the requirements of the latest version of ASTM C216 or CSA A82

The Elegance of stone
the simplicity of brick

Elegant Chestnut



Elegant Beige



Elegant Merlot



Elegant Willow

Elegante product representations shown in this publication are intended to convey the general color, texture and appearance of the product. Variations may occur in the manufacturing and printing process. Always select stone from an actual product sample.

Elegante

Intelligent single-cube packaging eliminates the need to blend multiple packages, and provides less on-site cutting and waste.

The Elegante units course out with Premier Plus Brick allowing for endless design options.

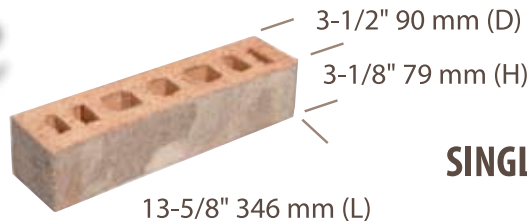
CUBE SPECIFICATIONS

Coverage: 106 ft² (9.8 m²)
 * includes 3/8 in (10mm) mortar joint

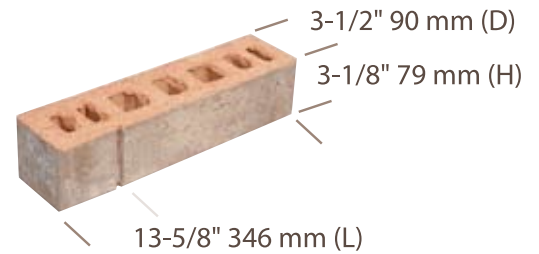
Weight: 2379 lb (1079 kg)

Our convenient split cube packaging allows for the division of cubes on site

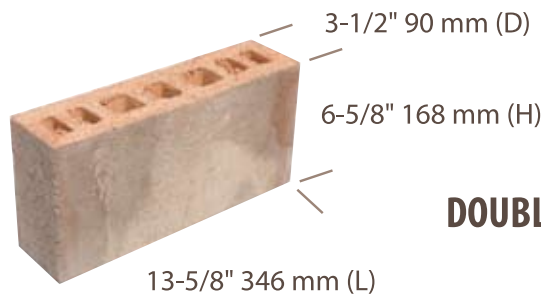
SINGLE STONE



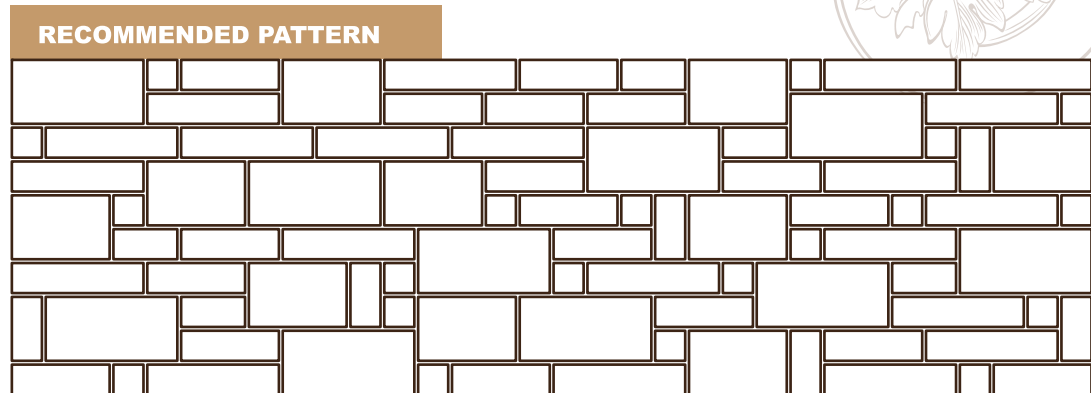
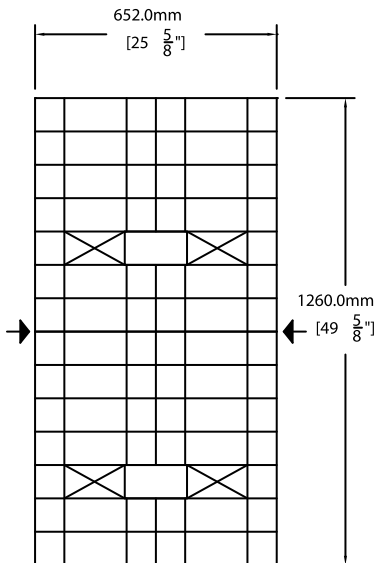
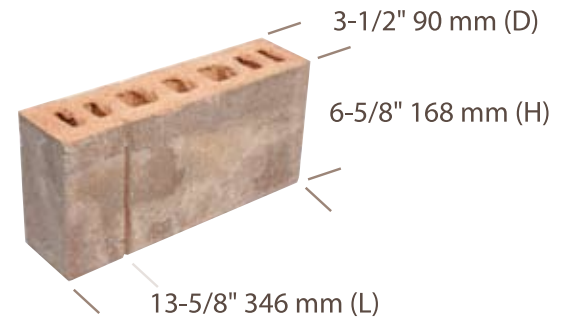
SINGLE STONE -KERFED



DOUBLE STONE



DOUBLE STONE -KERFED



An Integrated Masonry & Landscape Solutions Company for over 100 years.

bramptonbrick.com
 1-800-GO-BRICK (462-7425)

Rev2/10/10